

DS-K7R83X Remote control pad



- 7-inch IPS touch screen with 1024 × 600 resolution.
- Self-define the function for the key button.
- Use for reception counter or security room easy to remote control.
- Cost-effective for traditional remote keyfob.

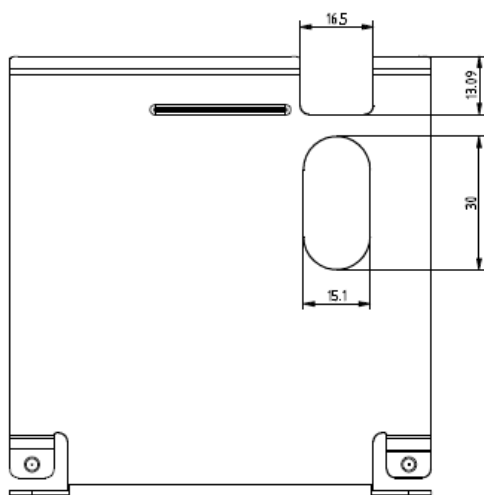
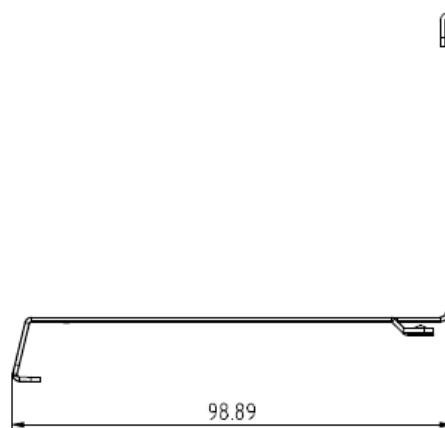
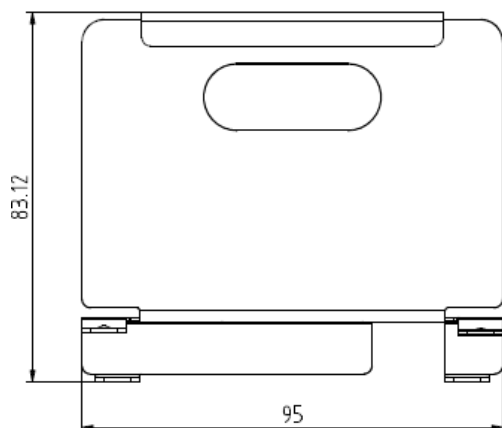
▪ Specification

System	
Operating system	Embedded Linux system
Display	
Screen size	7-inch
Operation method	Capacitive touch screen
Type	Colorful IPS LCD
Resolution	1024 × 600
Network	
Communication protocol	TCP/IP
Wired network	10/100 Mbps self-adaptive
Wi-Fi	Wi-Fi 802.11 b/g/n
Interface	
Network interface	x 1 RJ-45 10/100 Mbps self-adaptive
Hardware	
Button	Physical button (self-define)
Function	
Configuration via Web browser	Supported
Video intercom	Not supported
General	
Power	IEEE802.3af, standard PoE 12 VDC/1 A
Power consumption	≤ 7 W
Working temperature	-10 °C to 55 °C (14 °F to 131 °F)
Working humidity	10% to 90%
Dimensions	Without package 180 mm × 140 mm × 22.4 mm (7.09" × 5.51" × 0.88") With package (1 for 1) 251 mm x 211 mm x 141 mm (9.88" × 8.31" × 5.55") With package (1 for 12) 522 mm x 442 mm x 453 mm (20.55" × 17.40" × 17.83")
Installation	Surface mounting and Desktop placement
Weight	Without package: 355 g With package: 1050 g
Approval	CE/CE-LVD/CB/RoHS/REACH/WEEE
Power supply method	12 VDC/1 A
Language	English, European Spanish, Thai, Japanese, Arabic
Configuration	
Module selection	NO

▪ Available Model

DS-K7R83X

▪ Dimension



Headquarters

No.555 Qianmo Road, Binjiang District,
Hangzhou 310051, China
T +86-571-8807-5998
www.hikvision.com



Follow us on social media to get the latest product and solution information.

