

CYB-K4H255-LZ-2

Manyetik Kilit Bariyeri



Bracket for CYB-K4H255-LZ-2

L bracket is used for fixed lock body Z bracket is used for suction plate fixed, is equipped with antiskid and structure adjustment

## Specification

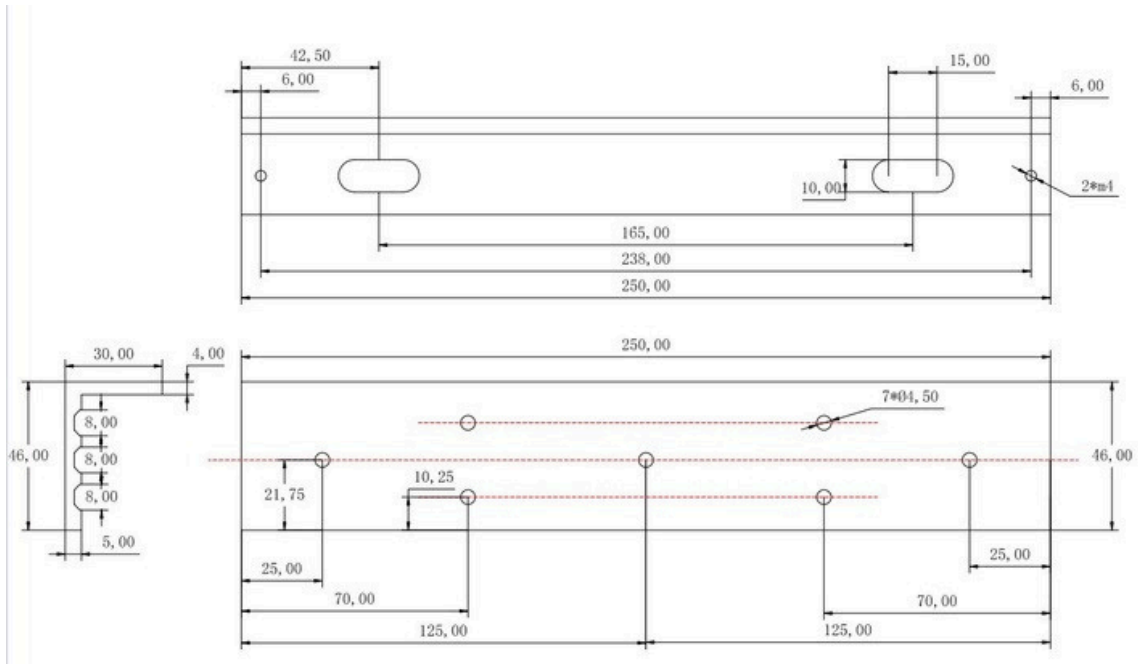
General	
Dimensions	L-bracket: 250 mm × 46 mm × 30 mm (9.8" × 1.8" × 1.2") Z-bracket: 180 mm × 47 mm × 47 mm (7.1" × 1.9" × 1.9") 0.5 kg (1.1 lb) High strength aluminum alloy surface sandblasting oxidation
Weight	kg (1.1 lb) High strength aluminum alloy surface sandblasting oxidation
Material	Wooden Door, Glass Door, Metal Door
Door type	Door
Bracket of Magnetic Lock	
Suitable Door	Wooden Door, Glass Door, Metal Door

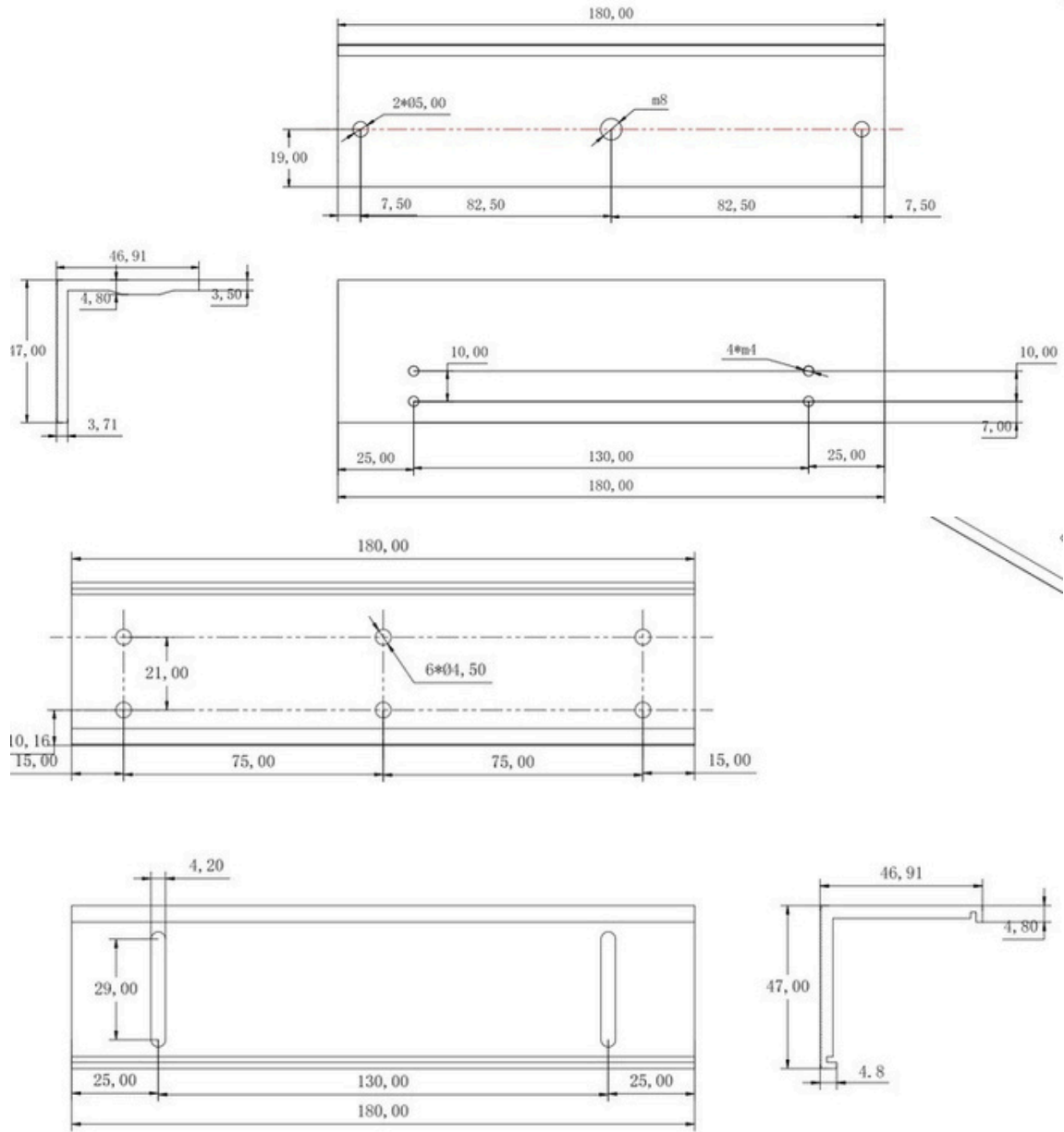
\*Bracket for CYB-K4H255-LZ-2

## Available Model

CYB-K4H255-LZ-2

## Dimension





Accessory

Included

**CYB-K4H255S**

**Value Magnetic**

**Locks**

