

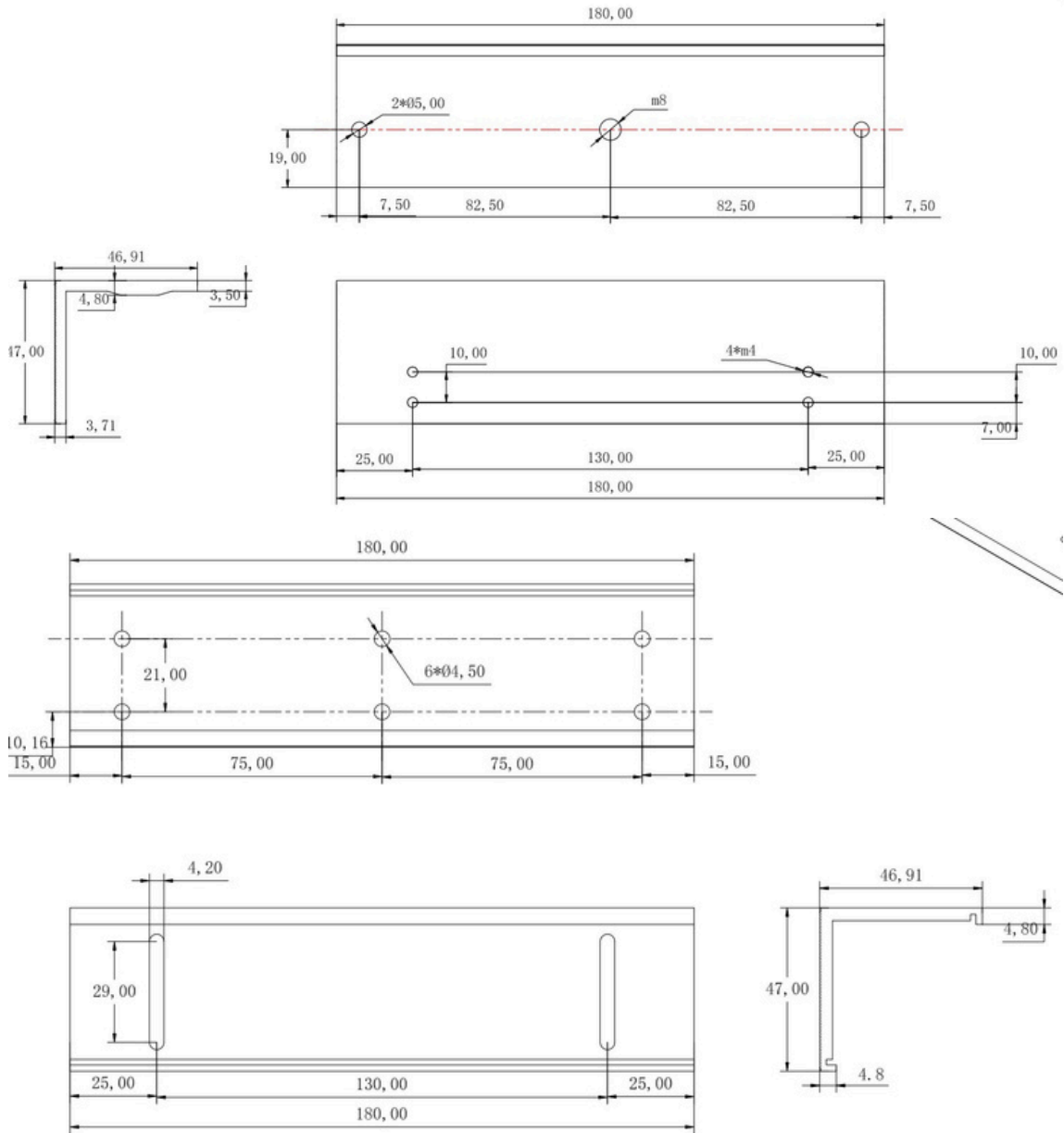
CYB-K4H255-LZ

CYB Value Serisi Manyetik Kilit Bariyeri



- Bracket for CYB-K4H255S
- L bracket is used for fixed lock body
- Z bracket is used for suction plate fixed, is equipped with antiskid and structure adjustment





□ Accessory

□ Included

