

DS-K4H450S Single-door Magnetic Lock



The DS-K4H450D double-door magnetic lock is designed for wooden door, glass door, metal door, and fireproof door. The maximum thrust of the lock is 500 kg (1102.5 lbs) × 2. It can be used for controlling door opening/closing, and the indicator shows the door status. It supports signal output of door lock output status testing.

- Magnetic lock supports static linear thrust of 500kg (1102.5 lbs)
- Power supply can be 12 VDC or 24 VDC + 10% (default voltage is 12 VDC)
- Suitable for wooden door, glass door and metal door
- LED indicator displays door lock status
- Signal output of door lock status

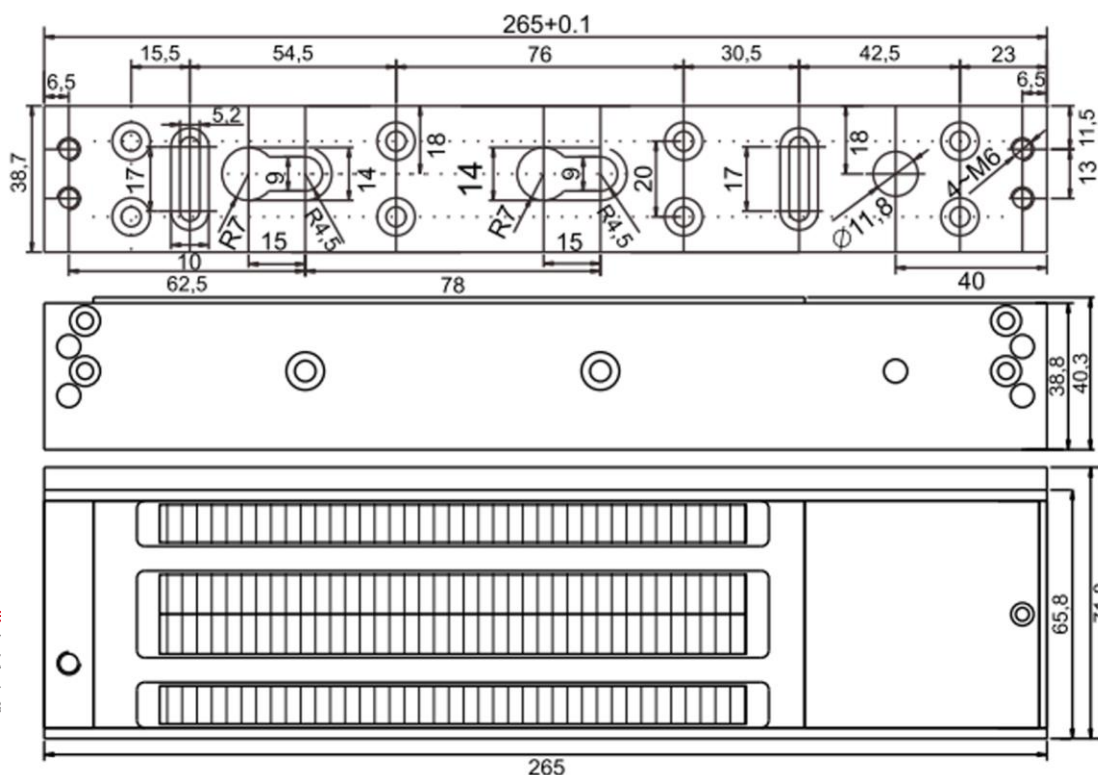
▪ Specification

General	
Indicator	Green: Locked Red: Unlocked
Power supply	12/24 VDC + 10% 12 VDC, 420 mA 24 VDC, 210 mA
Dimensions	Lock Body: 265 mm × 71.8 mm × 38.8 mm (10.43" × 2.83" × 1.53") Armature Plate: 185 mm × 60 mm × 13 mm (7.28" × 2.36" × 0.51")
Weight	4.5 kg (9.92 lb)
Signal output	Dry Contact Signal Output; Support Maximum Power Rate of 3 A, NO Output While Locking and NC Output While Unlocking
Thrust	500 kg (1102.5 lb)
Door type	Wooden Door, glass door, metal Door
Magnetic Lock	
Maximum holding force	500kg (1102.5 lbs)
Suitable door	Wooden Door, Glass Door, Metal Door

▪ Available Model

DS-K4H450S

▪ Dimension



Headquarte
No.555 Qiar
Hangzhou
T +86-571-
www.hikvis

Follow us o



Hikvision



HikvisionHQ



HikvisionHQ



Hikvision_Global



Hikvision
Corporate Channel



hikvisionhq



- **Accessory**
- **Optional**

**DS-K4H450-LZ
Pro Series Magnetic
Lock Bracket**



Headquarters

No.555 Qianmo Road, Binjiang District,
Hangzhou 310051, China
T +86-571-8807-5998
www.hikvision.com



Follow us on social media to get the latest product and solution information.

