

CYB-K4H450

Manyetik Kilit Bariyeri



The CYB-K4H450 double-door magnetic lock is designed for wooden door, glass door, metal door, and fireproof door. The maximum thrust of the lock is 500 kg (1102.5 lbs) \times 2. It can be used for controlling door opening/closing, and the indicator shows the door status. It supports signal output of door lock output status testing.

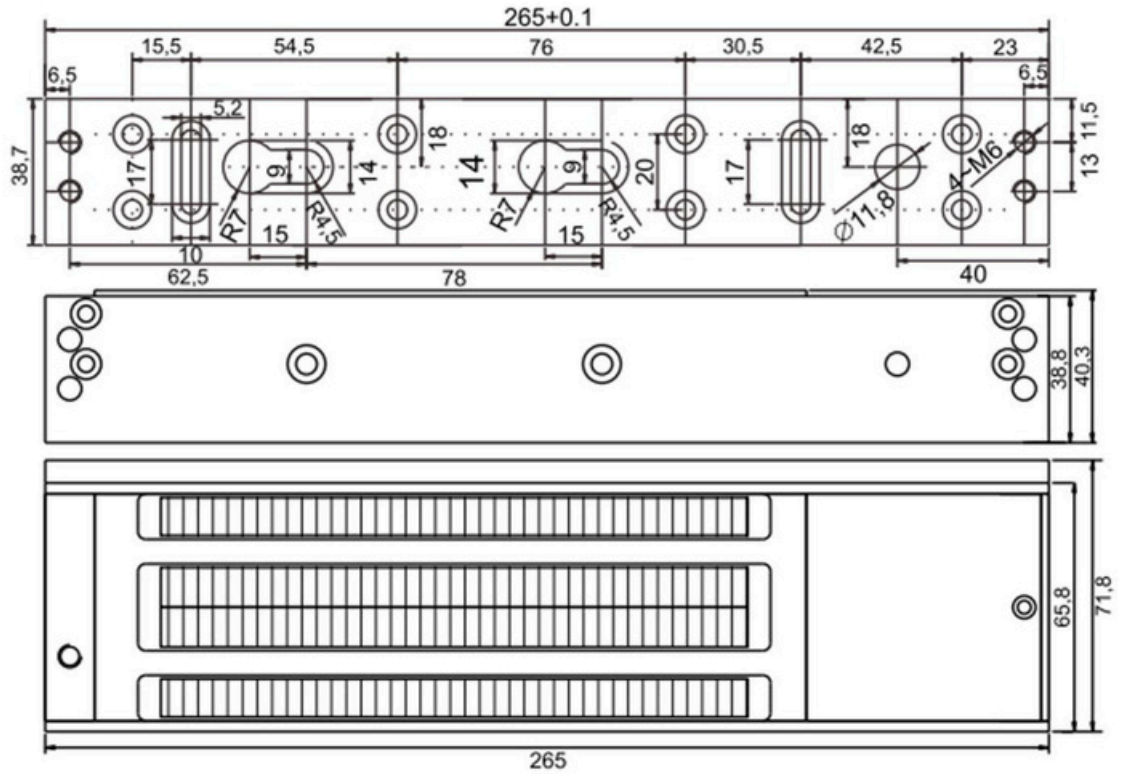
- Magnetic lock supports static linear thrust of 500kg (1102.5 lbs) Power
- supply can be 12 VDC or 24 VDC + 10% (default voltage is 12 VDC) Suitable
- for wooden door, glass door and metal door LED indicator displays door
- lock status Signal output of door lock status
-

□ Specification

General	
Indicator	Green: Locked Red: Unlocked 12/24 VDC + 10% 12 VDC, 420 mA 24 VDC, 210 mA
Power supply	Lock Body: 265 mm × 71.8 mm × 38.8 mm (10.43" × 2.83" × 1.53") Armature Plate: 185 mm × 60 mm × 13 mm (7.28" × 2.36" × 0.51") 4.5 kg (9.92 lb) Dry Contact Signal Output; Support Maximum Power Rate of 3 A, NO Output While Locking and NC Output While Unlocking 500 kg (1102.5 lb) Wooden Door, glass door, metal Door
Dimensions	
Weight	
Signal output	
Thrust	
Door type	
Magnetic Lock	
Maximum holding force	500kg (1102.5 lbs)
Suitable door	Wooden Door, Glass Door, Metal Door

□ Available Model
DS-K4H450S

□ Dimension



□ Accessory

□ Optional

**CYB-K4H450-LZ Pro
Series Magnetic
Lock Bracket**

