

DS-K4H255-U
Accessory of Magnetic Lock



- Bracket for DS-K4H255S
- Suitable for lower edge frameless glass door

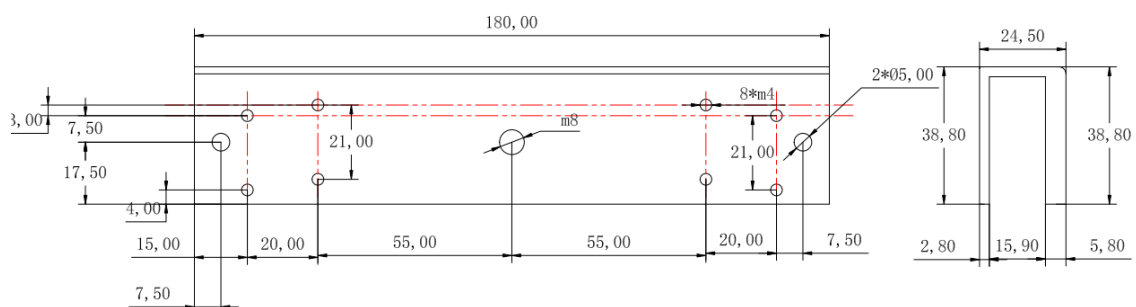
▪ Specification

General	
Dimensions	180 mm × 24.5 mm × 38.8 mm (7.1" × 1.0" × 1.5")
Weight	0.2kg (0.4 lb)
Material	High strength aluminum alloy surface sandblasting oxidation
Door type	Lower edge frameless glass door (door thickness: 9 to 12 mm)
Bracket of Magnetic Lock	
Suitable Door	Lower edge frameless glass door(door thickness 9~12mm)

▪ Available Model

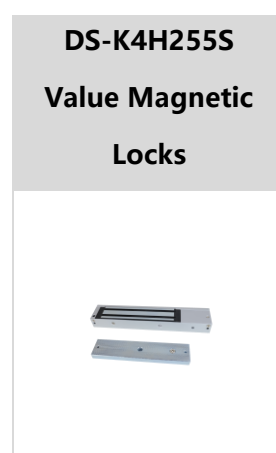
DS-K4H255-U

▪ Dimension



▪ Accessory

▪ Included



Headquarters

No.555 Qianmo Road, Binjiang District,
Hangzhou 310051, China
T +86-571-8807-5998
www.hikvision.com



Follow us on social media to get the latest product and solution information.

