

DS-K1109EB Card Reader



- Supports RS-485 and Wiegand (W26, W34) protocol
- Supports reading EM card
- Supports authentication via card
- Supports bluetooth module
- Tamper-proof function

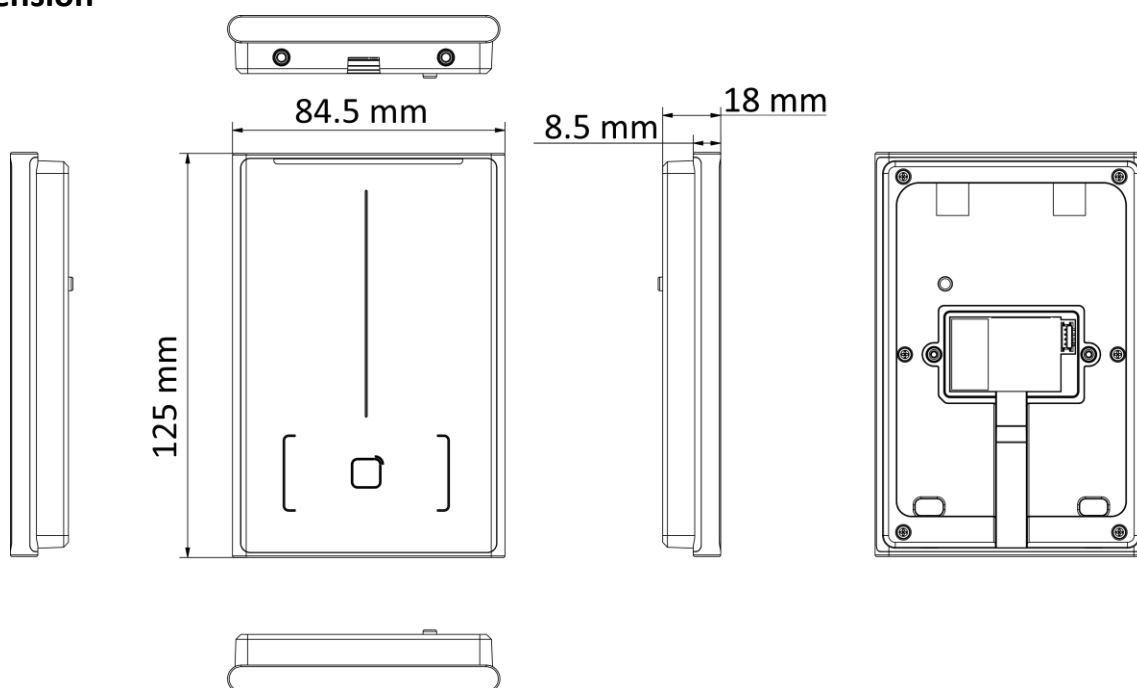
▪ **Specification**

Interface	
TAMPER	Support
RS-485	1
Wiegand	1
Authentication	
Card type	EM card
General	
Power supply	12 VDC
Power consumption	With load: ≤ 14 w Without load: ≤ 4 w
Working temperature	-40 °C to 65 °C (-40 °F to 149 °F)
Working humidity	0 to 90% (no condensing)
Protective level	IP65
Dimensions	125 mm × 84.5 mm × 18 mm (4.92" × 3.33" × 0.71")
Installation	Wall mounting
Weight	≤ 1 kg (2.20 lb)
Buzzer	Support

▪ **Available Model**

DS-K1109EB

▪ **Dimension**



Headquarters

No.555 Qianmo Road, Binjiang District,
Hangzhou 310051, China
T +86-571-8807-5998
www.hikvision.com



Follow us on social media to get the latest product and solution information.

