

CYB 2000D

CYB: Full Height Turnstile

CYB: Full Height Turnstile with RFID Access Control System

CYB: Full Height Turnstile with Fingerprint and RFID Access Control System

Semi-automatic
mechanism

Visible indicator

SUS304 stainless
steel cabinet

Modular design



Application



Industrial facilities



Corporate security



Government security

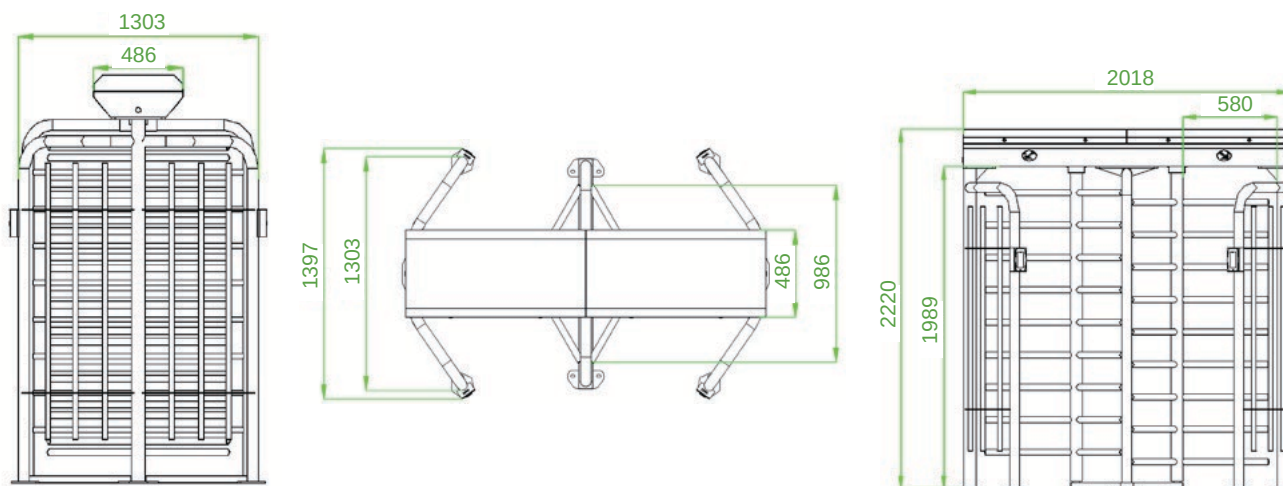


Public transportation

Specifications

Power Requirements		AC110V/220V, 50/60Hz
Working Temperature		-28°C to 60°C
Working Humidity		0% to 95%
Working Environment		Indoor/ Outdoor
Speed of Throughput	RFID	Maximum 20/ minute
	Fingerprint	Maximum 15/ minute
Lane Width		580 mm
Footprint (L*W)		2018*1397(mm)
Dimension (L*W*H)		2018*1397*2220 (mm)
Net Weight (kg)	Turnstile	161.5kg
	Cabinet	271.5kg
LED Indicator		Supports
Cabinet Material		SUS304 Stainless Steel
Barrier Material		SUS304 (optional: SUS316)
Barrier Movement		Rotating
Emergency Mode		Supports
Security Level		High
MCBF		1 million
Ingress Protection		IP54
Warranty		1 year
Dimension with Packing (L*W*H)	Turnstile	2120*590*440(mm)
	Cabinet	1670*1510*2180(mm)

Dimensions (mm)



To prevent the corrosion of stainless steel, we recommend not to use in highly corrosive environments, such as sea-side, chemical plants and saline-alkali soils.