



FBL4000 Pro Series

FBL4000 Pro Single Lane Flap Barrier Turnstile

FBL4011 Pro Single Lane Flap Barrier Turnstile

(w/ controller and RFID reader)

FBL4022 Pro Single Lane Flap Barrier Turnstile

(w/ controller and fingerprint & RFID reader)

The ZKTeco FBL4000 Pro single lane flap barrier turnstile is an elegant cost-effective entrance control system designed for high-traffic volume.

The FBL4000 Pro is a single lane flap barrier turnstile series designed for smooth and silent operation and draws very little power. It's made of stainless steel which makes FBL4000 Pro highly durable.

FBL4000 Pro barriers are normally held in a locked position, thus denying access to the secured side. Upon FBL4000 Pro's reader (RFID and/or fingerprint) positively recognizing a user's valid access card or fingerprint, its barriers retract upward automatically, thus allowing users passage to the secured side.

During emergencies the barriers automatically retract upward, thereby avoid users being trapped. A capacitor board for power outage safety can be installed for retracting the barrier automatically.

FBL4000 Pro provides both security and convenient space, all in a very durable and elegant compact design.

Features

Reliability

- SUS304 stainless steel casework ensure long-lasting durability.
- High quality electrical components.

Safety Features

- Barriers retract automatically during power outage with capacitor board installed.
- All smooth finishing. No exposed screws.
- Ergonomic design makes card and fingerprint authentication fast & simple for users.

Built-in Reader Integration

- FBL4000 Pro series is already integrated with our customers' preference for either card or fingerprint access control reader. This greatly reduces installation time & expense.
- FBL4000 Pro series and associated access control readers are all factory-tested prior to shipping.
- ZKTeco provides true plug&play turnstiles with the lowest possible total cost of ownership in the industry.

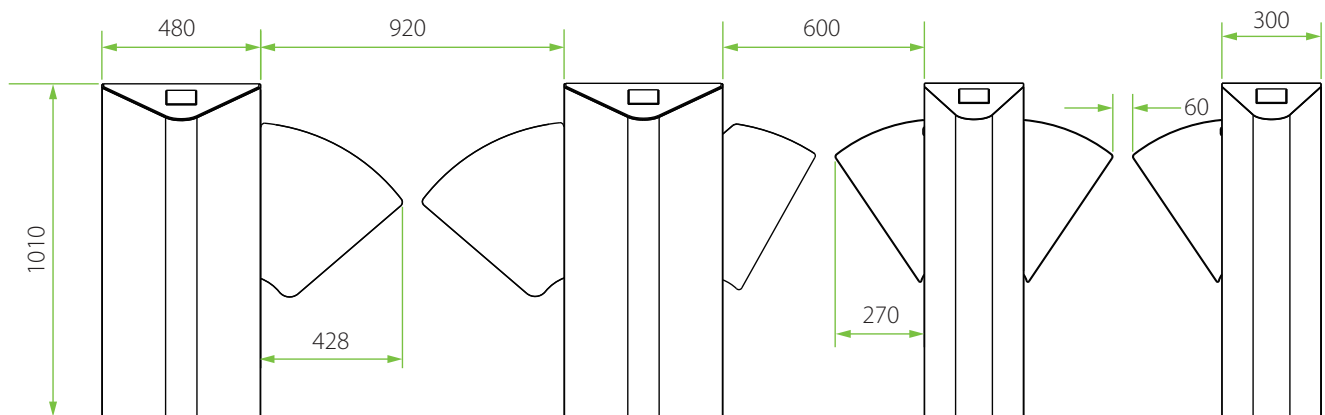
Simplification

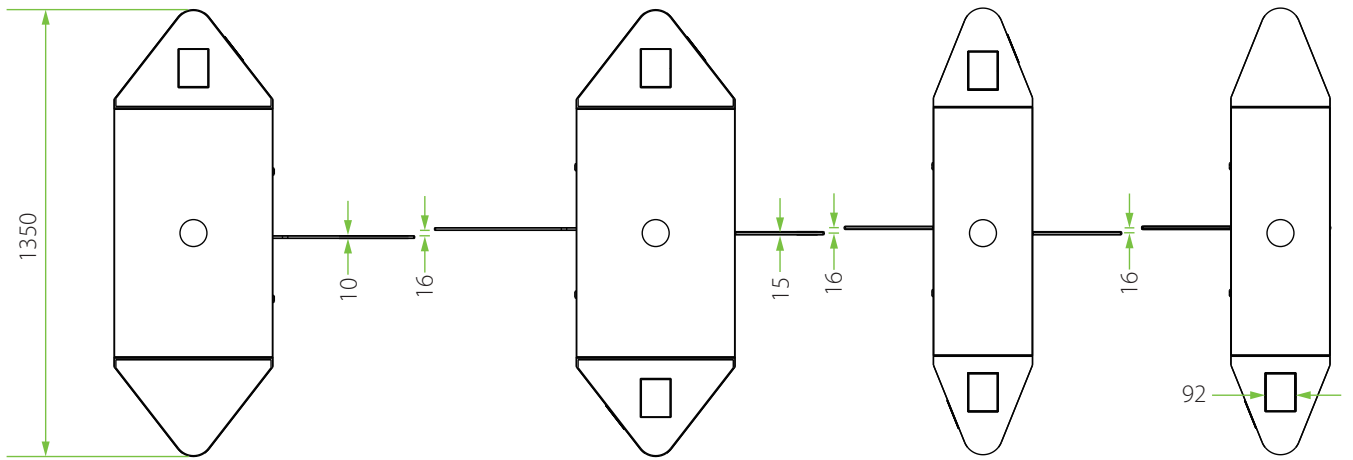
- LCD on the flap barrier control board, easy operation.

Specifications

Power Requirements		AC 100 ~ 120V/200 ~ 240V, 50/60Hz
Working Temperature		-28°C ~ 60°C
Working Humidity		5% ~ 80%
Working Environment		Indoor/outdoor (if sheltered)
Speed of Throughput	RFID	Maximum 30/ minute
	Fingerprint	Maximum 25/ minute
Lane Width (mm)		600 (optional 920)
Footprint (mm*mm)		1350*1200 (optional 1350*1880)
Dimensions (mm)		1350*300*1010(optional 1350*480*1010)
Dimension with Packing (mm)		1500*840*1100 (optional 1500*1160*1100)
Net Weight (kg)		116 (optional 200)
Weight with Packing (kg)		169 (optional 260)
LED Indicator		Y
Cabinet Material		SUS304 Stainless Steel
Lid Material		SUS304 Stainless Steel
Barrier Material		Acrylic (optional: tempered glass)
Barrier Movement		Retracting
Emergency Mode		Y
Security Level		Medium
MCBF		2 million
Warranty		1 year

Dimensions (mm)





Application

- 900MM Wide Lane Available

