

DS-K3B961TX
Smart swing barrier

- Working mode: The device supports flexible configuration of working mode (controlled, normally open, normally closed, auto-detect) in both direction.
- Power-off passage: The equipment is equipped with super capacitors as standard. When the power is cut off, the door will automatically open, so that people can pass freely.
- Working mode: The device supports flexible configuration of working mode (controlled, normally open, normally closed, auto-detect) of both direction.
- People counting: The device supports the configuration of people counting function, which can obtain the total number of people in and out of the device in real time.
- Remote control: The device integrates a wireless receiver, which can be used with a remote control keyfob to open the door remotely.
- Face recognition: using deep learning algorithm, supports photo and video Anti-spoofing, 1:N face recognition speed $\leq 0.2s$, face verification accuracy rate $\geq 99\%$.
- Alarm function: the device supports tamper alarm, blacklist alarm, etc.
- When an unauthorized person follows or enters in the opposite direction and triggers the infrared, the sound and light alarm will be linked.
- Anti-passback: The device supports cross-controller anti-passback function, effectively preventing unauthorized personnel from entering.
- Alarm linkage: When the alarm signal is triggered, the door wings are automatically opened to quickly guide the evacuation of personnel.
- Lighting display: The brightness and color of the strip lights can be customized and adjusted to meet customer preferences and environmental fusion.

▪ Specification

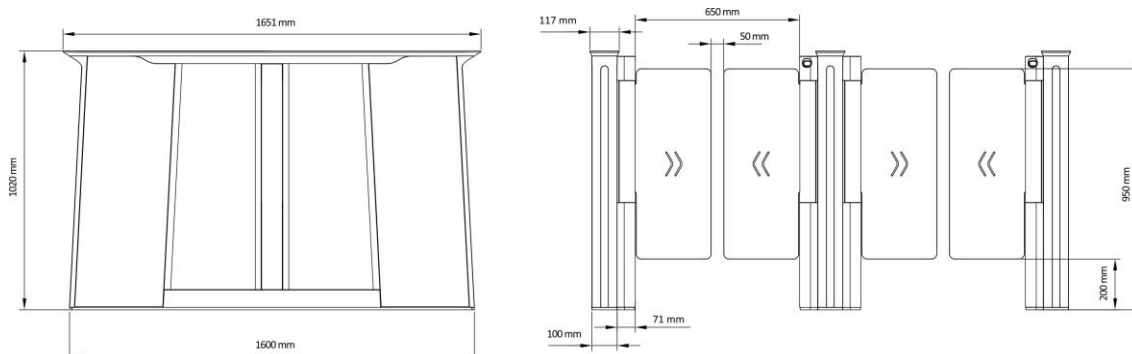
System	
MCBF	> 30 million times
Motor	Drive-direct servo motor
Display	
Screen size	6.95 inch
Operation method	Non-touch
Type	IPS
Resolution	600 × 1024
Image	
Sensor	2 MP
Resolution	1920 x 1080
Interface	
Network interface	1
RS-485	2
RS-232	4
Exit button	2
Lock output	2
IO input	2
IO output	2
Capacity	
Face capacity	100,000
Card capacity	500,000
Event capacity	1,000,000
Authentication	
Face recognition distance	2 m
Face recognition accuracy rate	≥ 99%
Face recognition duration	0.2 s
Function	
QR code recognition	Yes
General	
Throughput	30 to 60 persons per minute The actual throughput is affected by the person passing rate and passing method
Power supply method	100 to 240 VAC; 50 to 60 Hz
IR light detectors	24 pairs
Working temperature	-20 °C to 50 °C (4 °F to 122 °F)
Lane width	650 mm to 1100 mm (25.59" to 43.31")
Barrier material	Acrylic glass (10 mm)
Working humidity	10% to 95% (no condensing)
Built-in access controller	Yes
Dimensions	With packaging: 1905 mm × 550 mm × 1330 mm (75.0" × 21.7" × 52.4") Without packaging: 1651 mm × 117 mm × 1020 mm (65.0" × 4.6" × 40.2")
Pedestal material	SUS304 stainless steel with the thickness of 2 mm (0.08")
Application environment	Indoor

Weight	(Net) Left: 104 kg (229.3 lbs); Middle: 133 kg (293.2 lbs); Right: 104 kg (229.3 lbs); (Rough) Left: 162 kg (357.2 lbs); Middle: 191 kg (421.1 lbs); Right: 162 kg (357.2 lbs);
Approval	CE/FCC/CB/RoHS/REACH/WEEE
Power consumption	350 W
Configuration	
Module selection	NO
Authentication mode	Card
Card type	EM, M1, Desfire
Wall distance	20 mm
Lane width	650, 750, 900
Recommended width	650
Pedestal width	117 mm
Pedestal length	1651 mm
Barrier material	Acrylic glass
Base	YES
Base model	DS-K3B961TX-BASE
Product type	Swing barrier
Remote controller type	433 Mhz,868 Mhz

▪ Available Model

DS-K3B961TX-M/EDPiQL-Dp65-90, DS-K3B961TX-R/EDPiQL-Dp90, DS-K3B961TX-L/EDPiQL-Dp65,
 DS-K3B961TX-R/EDPiQL-Dp65, DS-K3B961TX-R/EPiQL-Dp65, DS-K3B961TX-R/MPiQL-Dp65, DS-K3B961TX-R/DPiQL-Dp65,
 DS-K3B961TX-R/DPiQL-Dp90, DS-K3B961TX-R/EPiQL-Dp110, DS-K3B961TX-R/DPiQL-Dp110, DS-K3B961TX-M/EPiQL-Dp65,
 DS-K3B961TX-M/MPiQL-Dp65, DS-K3B961TX-M/DPiQL-Dp65, DS-K3B961TX-M/DPiQL-Dp65-90,
 DS-K3B961TX-M/DPiQL-Dp90-65, DS-K3B961TX-M/DPiQL-Dp65-110, DS-K3B961TX-M/DPiQL-Dp110-65,
 DS-K3B961TX-M/EPiQL-Dp110, DS-K3B961TX-M/DPiQL-Dp110, DS-K3B961TX-L/EPiQL-Dp65, DS-K3B961TX-L/MPiQL-Dp65,
 DS-K3B961TX-L/DPiQL-Dp65, DS-K3B961TX-L/EPiQL-Dp110, DS-K3B961TX-L/DPiQL-Dp110, DS-K3B961TX-L/MPiQL-Dp65/868,
 DS-K3B961TX-L/EPiQL-Dp65/868

▪ Dimension



Headquarters

No.555 Qianmo Road, Binjiang District,
Hangzhou 310051, China
T +86-571-8807-5998
www.hikvision.com



Follow us on social media to get the latest product and solution information.

